

Series 1265 Bypass Valve

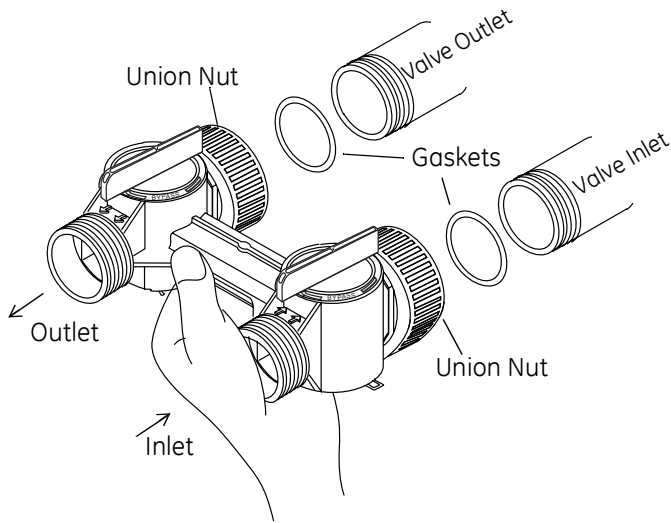
Installation and Operation Instructions

Note: When installing, be certain to leave slack in the vertical inlet and outlet lines connected to the bypass valve. The softener must not be supported by the plumbing lines.

Installation

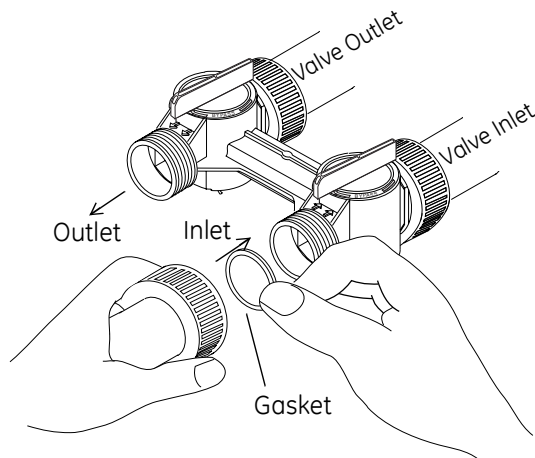
Step 1:

Verify that there is a gasket secured inside of the inlet and outlet union nuts of the bypass. Then, thread the bypass to the valve control body, hand-tightening both union nuts simultaneously. It is not necessary to lubricate or use sealant on the rubber gaskets or union nuts.



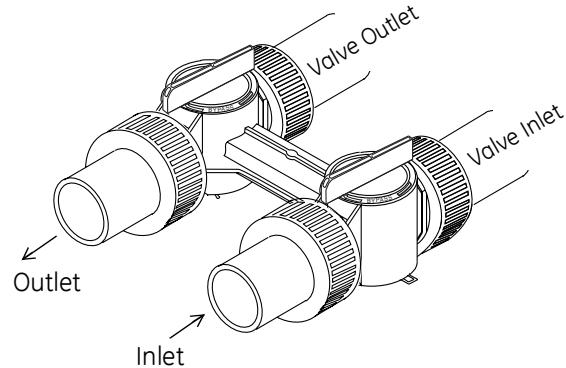
Step 2:

Insert tailpieces through union nuts. Attach tailpieces into inlet and outlet piping. Place the rubber gasket into the union nut and thread to bypass valve body. It is not necessary to lubricate or use sealant on rubber gasket or union nuts.



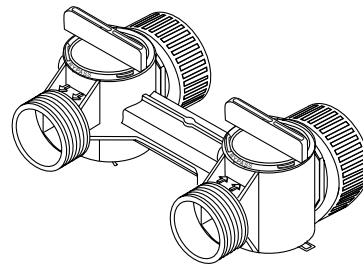
Step 3:

After all plumbing connections have been made, follow the start-up procedure in the owner's manual for initial set-up.



Operation

To bypass the conditioner with the 1265 bypass valve, rotate the handles clockwise so they are both perpendicular to the flow path of the inlet and outlet water stream, as shown below.



To return to the conditioned water or service position, rotate the handles counterclockwise so they are parallel to the flow path of the inlet and outlet water stream, as shown below.

